

APSOvib® – FLEX-LOC®



The name APSOvib® stands for the demand and cost optimized implementation of every vibration-related technical challenge. Outstanding application know-how and the large APSOvib® range of vibration elements provide the basis for this.

APSOvib® FLEX-LOC® is the simple solution for the assembly of appliances or the joining of sheets, metal plates and glass panes.

Areas of application

The APSOvib® FLEX-LOC® elements are used for the soundproof installation of metal plates and frames and for the fastening of engines or other aggregates.

Unlike other elastic elements, FLEX-LOC® can be installed simply and securely with just one screw.

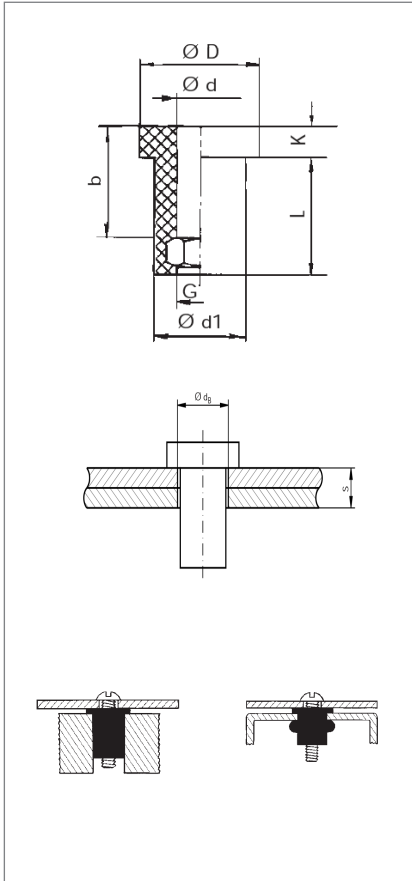
Range of application

- FLEX-LOC® elements are available for screws M3
- to M8 and are for static loads from 5 kg to 28 kg



Our contact details:

Angst+Pfister AG
apsovib@angst-pfister.com
www.angst-pfister.com



APSOvib® fastening elements FLEX-LOC®

Item no.	Type	D	d ₁	G	L	d	b	K	Weight
		mm	mm		mm	mm	mm	mm	g
12.2107.1003	Q-3	9.0	6.7	M3	9.0	3.4	8.0	2.5	0.8
12.2107.1004	Q-4	12.0	8.5	M4	11.5	4.4	10.5	3.0	1.7
12.2107.1005	Q-5	15.0	9.8	M5	14.5	5.4	13.0	3.5	2.5
12.2107.1006	Q-6	18.0	12.0	M6	17.0	6.4	15.0	4.0	5.0
12.2107.1008	Q-8	24.0	16.0	M8	22.0	8.4	19.5	5.0	10.5

Type	Twisting moment				Static Load		Breaking load		
	Diam. hole	Sheet met. thickness	Plate in sheet metal	Pocket holes	Plate in sheet metal	Pocket holes	Plate in sheet metal	Pocket holes	
	d ₂	s			Com- pression	Shear	Compression & shear		
	mm	mm	N - m	N - m	kg	kg	kg	kg	kg
Q-3	7.2-7.5	0.6-2.5	0.3-0.4	0.4-0.5	5	2.5	1.0	>50	>10
Q-4	9.3-9.6	0.8-3.3	0.4-0.5	0.4-0.6	7	3.5	1.0	>70	>12
Q-5	10.2-10.5	0.8-4.3	0.5-0.6	0.6-1.0	10	5.0	1.5	>100	>16
Q-6	12.7-13.0	1.5-5.0	0.7-0.9	2.5-3.5	14	7.0	3.0	>140	>32
Q-8	16.5-16.8	1.5-6.5	1.6-1.8	3.0-4.0	28	14.0	5.0	>280	>50

Materials

Elastomer, CR, black

threaded insert: galvanised steel

Working temperature

from -30 to +80 °C