

APSOvib® – HD Generator bearings



The name APSOvib® stands for the demand and cost optimized implementation of every vibration-related technical challenge. Outstanding application know-how and the large APSOvib® range of vibration elements provide the basis for this.

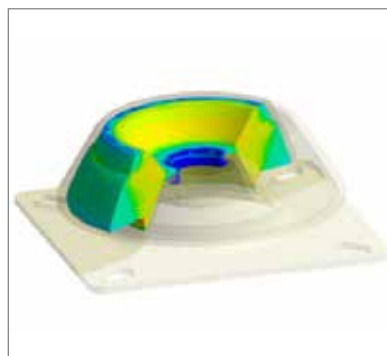
With the new APSOvib® HD generator bearings, specially designed for large generators and diesel engines, you achieve an optimal vibration insulation. The built-in protective cap protects the element against splashing with water or oil.

Areas of application

The APSOvib® HD generator bearings are used to uncouple larger generators and engines. Due to the highly effective insulation, even low-frequency vibrations are not passed on into the structure. The bearings possess break-proofing and guarantee an optimal support even transversely.

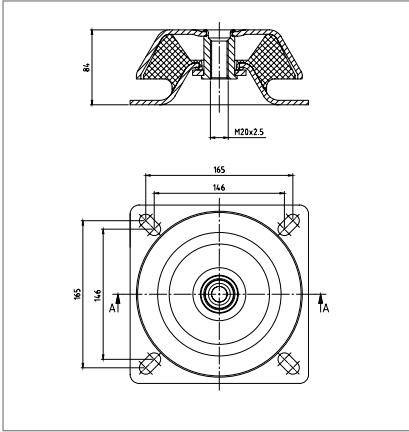
Range of application

- The two sizes cover a load capacity of 700 kg to 4200 kg
- A tuning frequency of up to 4 Hz can be achieved
- Bearings possess breakaway safety



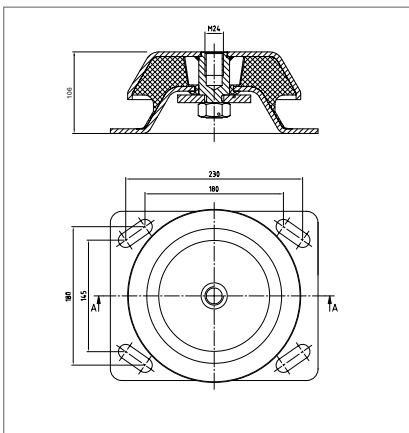
Our contact details:

Angst+Pfister AG
apsovib@angst-pfister.com
www.angst-pfister.com



APSoVib® HD Generator bearings – Type 1

Type	Static load F_z	Deflection s_z	Stiffness c_z
	N	mm	N/mm
GL 1-700	7000	12	583
GL 1-1200	12000	12	1000
GL 1-1600	16000	12	1333
GL 1-3000	30000	12	2500



APSoVib® HD Generator bearings – Type 2

Type	Static load F_z	Deflection s_z	Stiffness c_z
	N	mm	N/mm
GL 2-1600	16000	16	1000
GL 2-2400	24000	16	1500
GL 2-3400	34000	16	2125
GL 2-4200	42000	16	2625

Material elastomer

NR, black

Material shell

Steel, zinc plated, chromated

EU standard

Compliant to 2002/95/EG (RoHS)