

APSOvib® – forward-looking solutions for antivibration technology



APSOvib® stands for customized and cost-optimized solutions for every antivibration technology challenge, drawing on Angst+Pfister's outstanding application expertise and the vast range of APSOvib® antivibration elements.

The new specially designed APSOvib® marine engine mounts assure you smooth sailing: the exceptionally robust and break-proof vibration isolators guarantee maximum cruising comfort, even in stormy conditions.



The new specially designed **APSOvib® marine engine mounts** prevent engine vibrations from being transmitted to the ship hull.

Materials

Galvanized steel and natural rubber. Fluid runoff grooves provide an added anticorrosive feature.

Deployment area

Vehicle engineering in general, specifically shipbuilding. Experience and materials expertise played a major role in the development of this product.

Range of deployment

The three different mount sizes cover load capacities from 35kg to 960kg and spring travel from 4mm to 6mm.

Result

Efficient vibration isolation elements in three different sizes and a wide array of hardnesses – to literally keep even the mightiest freighter from floundering.



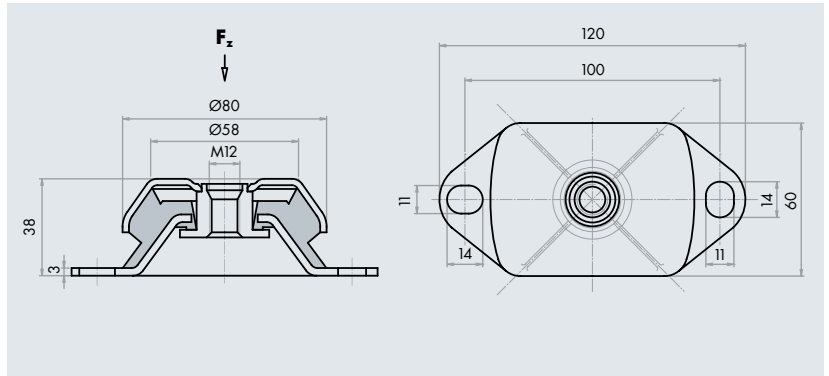
Our contact details

Angst+Pfister AG, Switzerland
Phone: +41 (0)44 306 61 11
engineering@angst-pfister.com
www.angst-pfister.com

APSOvib® marine engine mount – Type I

Item no.	Type	Hardness	Load capacity F_z	Spring travel s_z
		Shore A	kg	mm
12.2144.0440	0140	40	35	4
12.2144.0445	0145	45	45	4
12.2144.0455	0155	55	70	4
12.2144.0465	0165	65	100	4

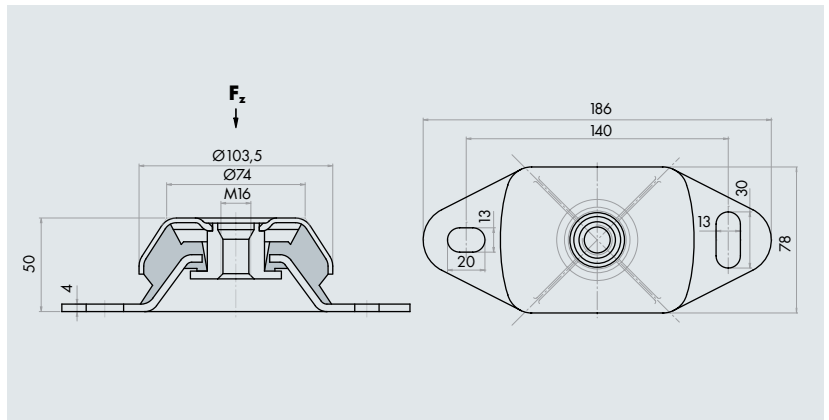
Material of elastomer part: NR, black
Material of housing: galvanized steel, chromated
EU directives: compliant with 2002/95/EC (RoHS)



APSOvib® marine engine mount – Type II

Item no.	Type	Hardness	Load capacity F_z	Spring travel s_z
		Shore A	kg	mm
12.2144.0535	0235	35	80	5
12.2144.0545	0245	45	110	5
12.2144.0555	0255	55	160	5
12.2144.0565	0265	65	275	5
12.2144.0575	0275	75	500	5

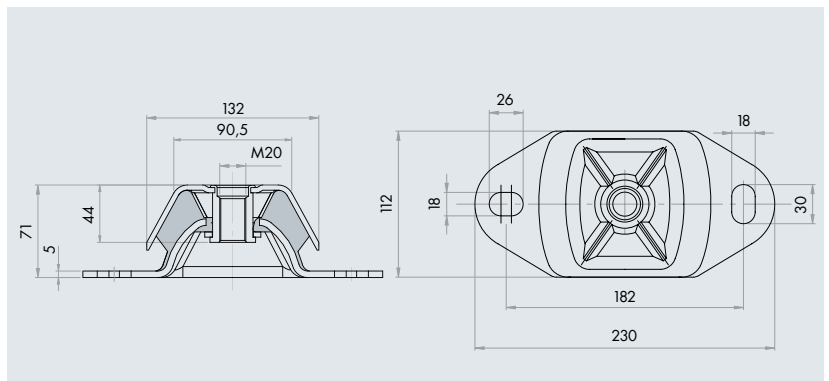
Material of elastomer part: NR, black
Material of housing: galvanized steel, passivated
EU directives: compliant with 2002/95/EC (RoHS)



APSOvib® marine engine mount – Type III

Item no.	Type	Hardness	Load capacity F_z	Spring travel s_z
		Shore A	kg	mm
12.2144.0645	0345	45	340	6
12.2144.0655	0355	55	520	6
12.2144.0665	0365	65	730	6
12.2144.0675	0375	75	960	4

Material of elastomer part: NR, black
Material of housing: galvanized steel, passivated
EU directives: compliant with 2002/95/EC (RoHS)



APSOparts®

the Online Shop of Angst+Pfister
 www.apsoparts.com