

APSOvib® – HD Machine mounts ≤ 50 kg



The name APSOvib® stands for the demand and cost optimized implementation of every vibration-related technical challenge. Outstanding application know-how and the large APSOvib® range of vibration elements provide the basis for this.

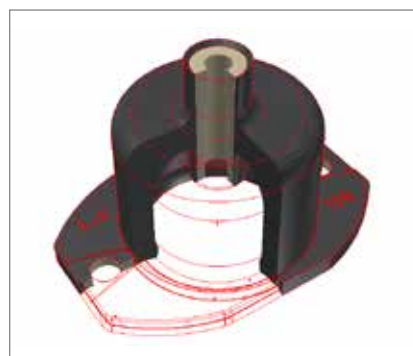
With the new APSOvib® HD machine mounts ≤ 50 kg, specially designed for compressors and light machines, you achieve an optimal vibration insulation. Thanks to the rubber sealing lips, the contact faces are completely sealed against outside media.

Areas of application

These APSOvib® HD machine mounts ≤ 50 kg are used for uncoupling electrical drives or compressors. Due to the effective insulation, even low-frequency vibrations are kept away from buildings and machines.

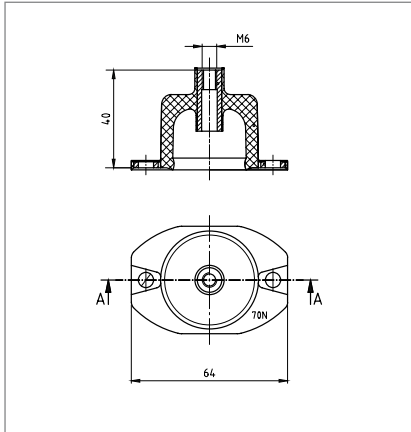
Range of application

- The two sizes cover a load capacity of 4 kg to 50 kg
- In addition, with the APSOvib® machine bearings, a tuning frequency of up to 6 Hz can be achieved



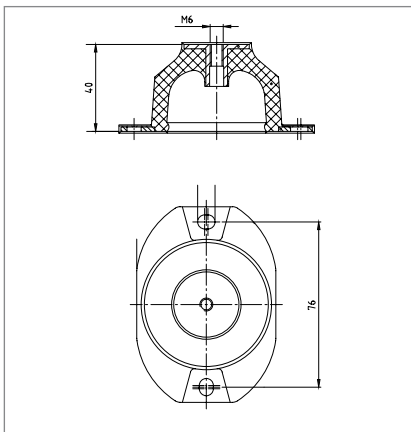
Our contact details:

Angst+Pfister AG
apsovib@angst-pfister.com
www.angst-pfister.com



APSoVib® HD Machine mounts ≤ 50 kg – Type 1

Type	Static load F_z	Deflection s_z	Stiffness c_z
	N	mm	N/mm
ML HD 1 -040	40	6	6.7
ML HD 1 -070	70	6	11.7
ML HD 1 -120	120	6	20



APSoVib® HD Machine mounts ≤ 50 kg – Type 2

Type	Static load F_z	Deflection s_z	Stiffness c_z
	N	mm	N/mm
ML HD 2 -200	200	6	33
ML HD 2 -300	300	6	50
ML HD 2 -500	500	6	83.3

Material elastomer

NR, black

Material shell

Steel, zinc plated, chromated

EU standard

Compliant to 2002/95/EG (RoHS)