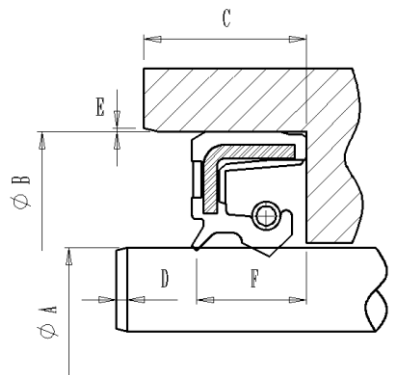


	<h1 style="margin: 0;">Design Sheet</h1>
--	--

Customer & Division	Customer P/N	Contact	Material	
Telephone	Address	Date Required	Quality Control	Customer Standard
Annual Usage	Peak Month Usage	OEM	Design by	
Application (Agricultural, Industrial...)		Equipment (Pump, Gearbox...)		Customer Sample
				Customer Drawing

Shaft	Material	Finish	Hardness		
Bore	Material	Finish	Hardness		
Temperature	Min.	Normal	Max.	°C	°F
Pressure	Min.	Normal	Max.	Bar	Psi
Media	Internal	Type	Brand and Grade	Dry	
				Flooded	
	External	Type			
Motion	Rotate				
	Min. RPM	Normal RPM	Max. RPM		
	Run-Out	Shaft-To-Bore Misalignment	Axial-Movement		
	Direction From Air Side				
	C.W.	C.C.W.	Bi-Direction		
	Shaft Motion Direction				
	Horizontal		Vertical		
	Rotation Frequency				
	Continue		Intermittent		
	Reciprocate				
	Stroke Length	Cycles/Minute			
	Oscillate				
Arc Degree	Cycles/Minute				
Bearing	Ball or Roller bearing		Bushing		



- A. Shaft Diameter:
- B. Bore Diameter:
- C. Max Seal OD Width:
- D. Shaft Chamfer & Angle:
- E. Bore Chamfer & Angle:
- F. Max Seal ID Width:

Special Requirements (Material, Test, Production Specification...)